



motorola

Quick Start Guide

MODELS: VERVELOOP2+

Frequency Band: 2.402 – 2.480 GHz

Maximum RF power: 7.5dBm

Working temperature: 0°C – 45°C

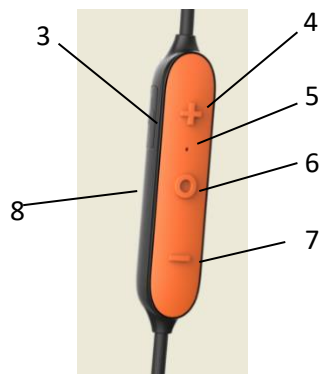
Product ID: SH020

Bluetooth ID: D036701

FCC ID: VLJ-SH020

IC: 4522A-SH020

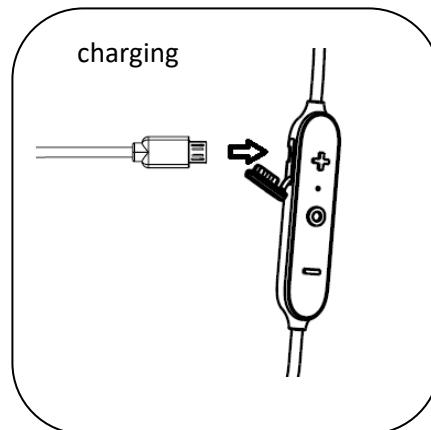
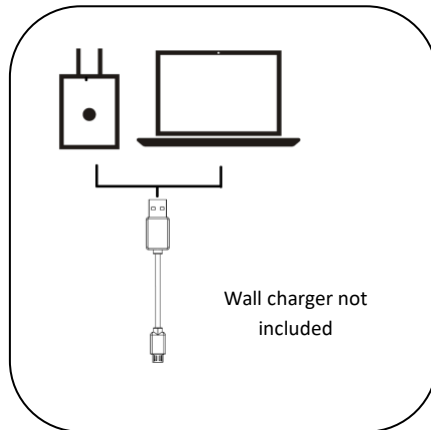
1. At a Glance



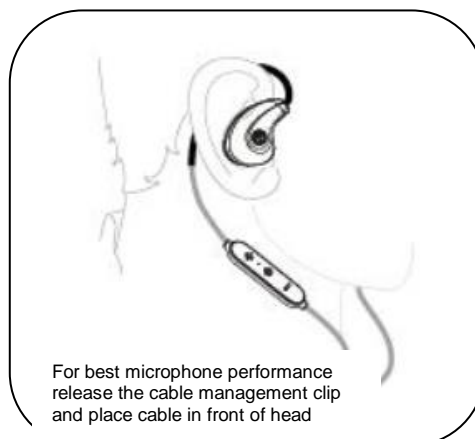
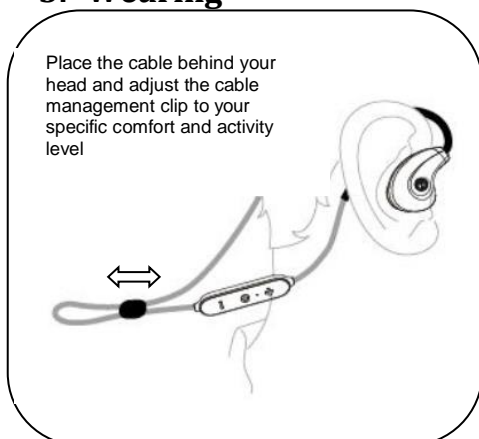
- ① Left Earbud
- ② Right Earbud
- ③ Micro USB Port
- ④ Volume Up/Next Track
- ⑤ LED Indicator
- ⑥ Multi-Function Button (MFB)
- ⑦ Volume Down/Last Track
- ⑧ Microphone

2. Charge

Fully charge before use. Any attempt to remove or replace your battery will damage your headset.



3. Wearing



4. Connect & Go



Turn on Bluetooth on your device



Turn on and Pair your headset by pressing the Multi-Function Button. Look for Blue and Red Flashing Lights



On your device, go to Bluetooth setting and select "Verveloop2+" to pair.



When pairing is completed, you will hear a tone



After first time, the headset will auto reconnect to the device when powered on

5. Buttons Operation

Music	
Play/Pause	Press MFB
Volume Down/Up	Press - / +
Next Track	Long press +
Previous Track	Long press -
Change EQ	Long press + & -
Calls	
Answer/ end call	Press MFB
Reject a call	Long Press - / +
Call waiting	
Receive incoming call and end ongoing call	Triple press MFB
Receive incoming and on hold ongoing call	Press MFB
Mute during call	Press - and +
Re-dial last call	Long press +
Pair	
Enter pairing mode (first time)	Press MFB
Enter pairing mode	Press and hold MFB
Voice	
To issue a voice command during idle mode, then say the command	Double press MFB

6. LED Indicators

Charging Case (LED at the front)	
Pairing	Red-blue flash
Standby	Blue flash
Charging	Red steady
Fully charged	Blue steady
Battery low	Red flash

7. Hubble Connect™ for VerveLife™

Download 'Hubble Connect for VerveLife' app for free at the App Store® or Google Play™ (Android™ 4.4.4 or higher) to find more functions:

- **Last connected location:** Locate in a map where your earbuds were connected to your device last time.
- **Help:** Get help and support.
- **Update for more advanced functions to come**

Note: Application feature may change over time, please download the latest version of the app to see all current features supported.



8. Safety Instructions

To avoid hearing damage, keep the volume at a moderate level. Avoid listening to music at loud volume levels for prolonged periods of time as this may cause permanent hearing damage or hearing loss. Don't use this product when it is unsafe to do so. For example, while operating a vehicle, cycling, crossing a road, or any activity which requires your attention and ability to hear.

9. Help & more

- **Get help:** Visit www.motorolahome.com/support or visit www.verve.life for help videos, FAQ's and more.
- **Find accessories at:** www.motorolahome.com or www.verve.life

Manufactured, distributed, or sold by Binatone Electronics International LTD., official licensee for this product. MOTOROLA and the Stylized M logo are trademarks or registered trademarks of Motorola Trademark Holdings, LLC. and are used under license. Apple logo is a trademark of Apple Inc., registered in the U.S. and other countries. App Store is a service mark of Apple Inc. Google Play and Android are trademarks of Google Inc. All other trademarks are the property of their respective owners. © 2018 Motorola Mobility LLC. All rights reserved.